

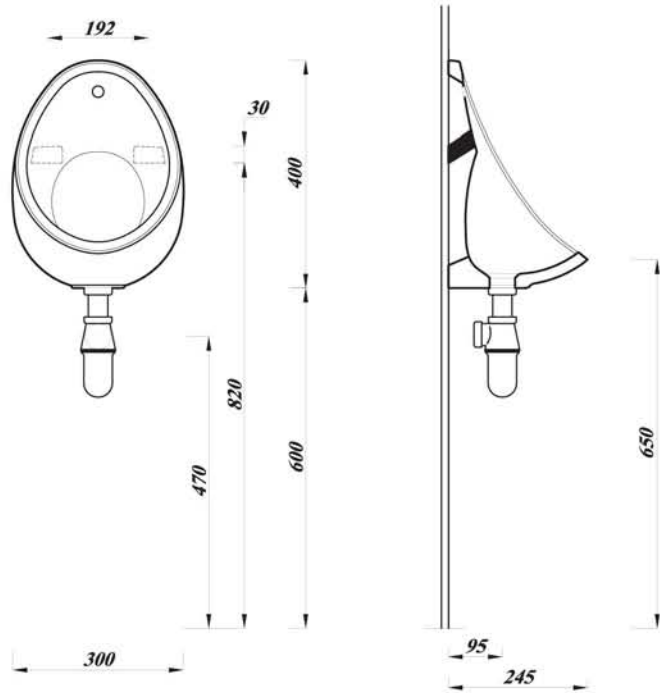
MODEL: Urinal 40cm

Application & Features

- Leisure
- Hotel and commercial
- Three sizes
- Also available as part of the waterless urinal pack



Elevations



Description		UK Codes	Bar Codes	Part No.
Urinal Exposed 40cm		URBOW40	6221006016817	FS129617300000
Compatible products	Urinal divider	URSEP	6221006025741	FS17262B000000
	Brackets	BRACK	5060182831712	
	Plastic dome waste	URDWP	5017134119718	
	Chrome hinged dome waste	URHDW	5024139063229	
	Top inlet spreader exposed	URTIS	5036084100010	
	Pipe work – single bowl inc. brackets	URPWS	5036084110019	
	Pipe work – two bowl inc. brackets	URPW2BOW	5036084120018	
	Pipe work – three bowl inc. brackets	URPW3BOW	5036084130017	
	Pipe work – four bowl inc. brackets	URPW3BOW	5036084140016	
Colour	White			
	Urinal	6.65 kg		
	Urinal divider	8.25 kg		
Packing	Shrink wrap			
Material	Vitreous china			
Standards	BS 5520 / BS3402 / Declaration of performance URL2			
Notes	Brackets required for installation of the urinal BRACK (Not Included)			

Martin Richards

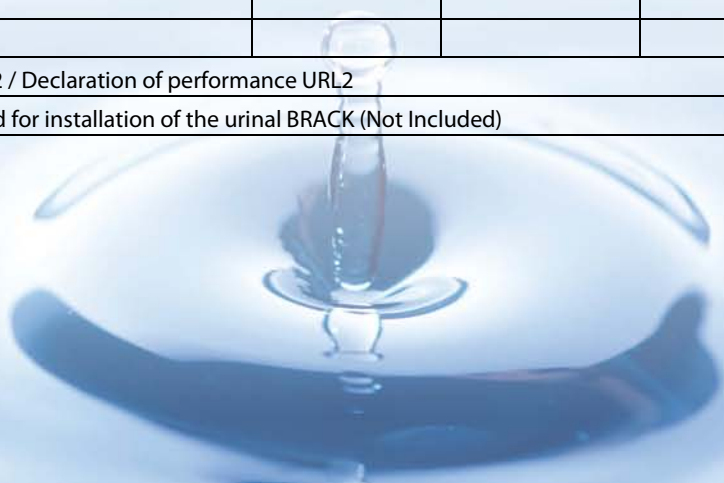
t: 07754 512518

e: martin@smartilimited.com

Smarti™ Enviromental Products Limited

Exeter Estates, Peamore Centre, Alphington
Exeter, Devon EX2 9SL

smartewaterfree.com



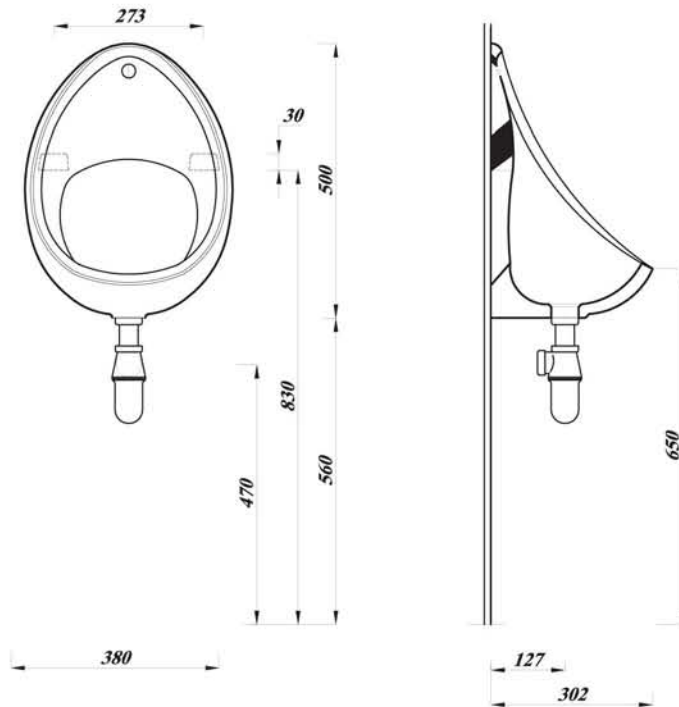
MODEL: Urinal 50cm

Application & Features

- Leisure
- Hotel and commercial
- Three sizes
- Also available as part of the waterless urinal pack



Elevations



Description		UK Codes	Bar Codes	Part No.
Urinal Exposed 50cm		URBOW50	6221006016824	FS129619300000
Compatible products	Urinal divider	URSEP	6221006025741	FS17262B000000
	Brackets	BRACK	5060182831712	
	Plastic dome waste	URDWP	5017134119718	
	Chrome hinged dome waste	URHDW	5024139063229	
	Top inlet spreader exposed	URTIS	5036084100010	
	Pipe work – single bowl inc. brackets	URPWS	5036084110019	
	Pipe work – two bowl inc. brackets	URPW2BOW	5036084110019	
	Pipe work – three bowl inc. brackets	URPW3BOW	5036084130017	
	Pipe work – four bowl inc. brackets	URPW3BOW	5036084130017	
Colour	White			
Weight	Urinal	9.35 kg		
	Urinal divider	8.25 kg		
Packing	Shrink wrap			
Material	Vitreous china			
Standards	BS 5520 / BS3402 / Declaration of performance URL2			
Notes	Brackets required for installation of the urinal BRACK (Not Included)			

Martin Richards

t: 07754 512518

e: martin@smartilimited.com

Smarti™ Enviromental Products Limited

Exeter Estates, Peamore Centre, Alphington
Exeter, Devon EX2 9SL



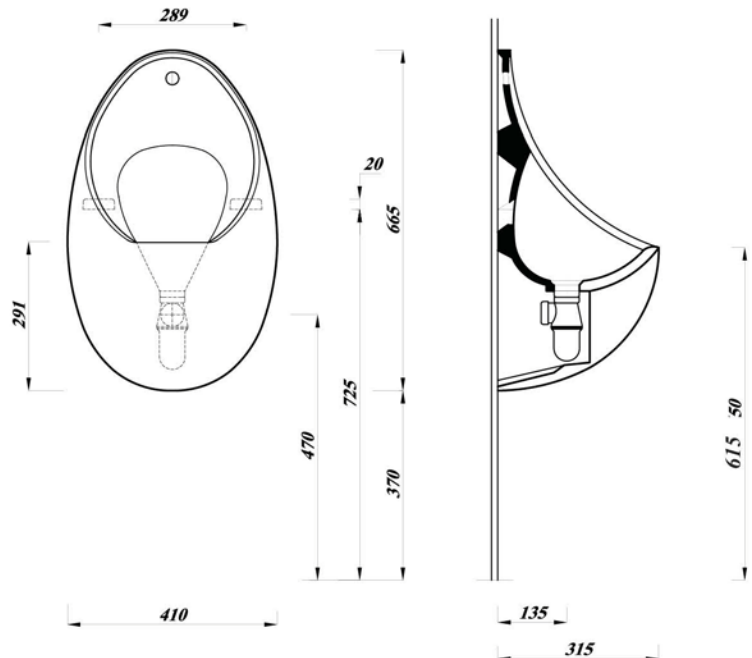
MODEL: Urinal 60cm (concealed)

Application & Features

- Leisure
- Hotel and commercial
- Three sizes
- Also available as part of the waterless urinal pack



Elevations



Description		UK Codes	Bar Codes	Part No.
Urinal Concealed 60cm		URBOW	6221006016831	FS12961B300000
Compatible products	Urinal divider	URSEP	6221006025741	FS17262B000000
	Brackets	BRACK	5060182831712	
	Plastic dome waste	URDWP	5017134119718	
	Chrome hinged dome waste	URHDW	5024139063229	
	Back inlet spreader concealed	URBIS		
Colour	White			
Weight	Urinal	9.35 kg		
	Urinal divider	8.25 kg		
Packing	Shrink wrap			
Material	Vitreous china			
Standards	BS 5520 / BS3402 / Declaration of performance URL2			
Notes	Brackets required for installation of the urinal BRACK (Not Included)			

Martin Richards

t: 07754 512518

e: martin@smartilimited.com

Smarti™ Enviromental Products Limited

Exeter Estates, Peamore Centre, Alphington
Exeter, Devon EX2 9SL

smartewaterfree.com



MODEL: Waterless Urinal Pack (40cm/50cm/60cm)

Application & Features

- Hotel, leisure and commercial
- Waterless Technology
- No Cistern/siphon required
- Compact Unit
- Allows liquid to flow into the drain, but prevents backflow of drain gasses
- Total life span depends on rate of usage
- Each valve can save between 20-40 litres of water per annum
- Key ring is biodegradable
- Green Key ring acts as an optical life cycle indicator keeping the membrane clean and creates a pleasant scent

Elevations



Description	UK Codes	Bar Codes	Part No.	
40cm Waterless Urinal Pack	URWALE540	5060182839893		
50cm Waterless Urinal Pack	URWALE5500	5060182839909		
60cm Waterless Urinal Pack	URWALE560	5060182839916		
Component products	40cm Urinal	URBOW40	6221006016817	FS129617300000
	50cm Urinal	URBOW50	6221006016824	FS129619300000
	60cm Urinal	URBOW	6221006016831	FS12961B300000
	Key valve E	URWALE5KEYV	5060182839947	
	Key adapter	URWALE5KEYA	5060182839923	
	Counter-nut	URWALE5KEYAC	5060182839930	
	Service key	URWALE5KEY	5060182839961	
	CLV plug	CLVPLUG	5060182834362	
	Maintenance set	URWALE5MAIN1	5060182839954	
Colour	White & Green			
Packing	Boxed			

Martin Richards
t: 07754 512518
e: martin@smartilimited.com

Smarti™ Enviromental Products Limited
Exeter Estates, Peamore Centre, Alphington
Exeter, Devon EX2 9SL

