

All dimensions are approximate and subject to normal ceramic variation, Smarti Products Limited reserve the right to change the product without prior notification

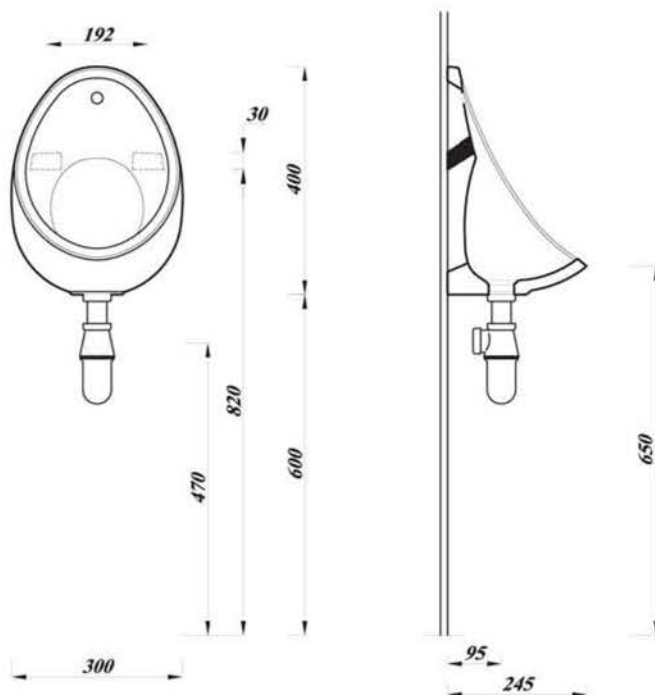
## MODEL: Urinal 40cm

### Application & Features

- Leisure
- Hotel and commercial
- Three sizes
- Also available as part of the waterless urinal pack



### Elevations



Description		UK Codes	Bar Codes	Part No.
<b>Urinal Exposed 40cm</b>		URBOW40	6221006016817	FS129617300000
Compatible products	Urinal divider	URSEP	6221006025741	FS17262B000000
	Brackets	BRACK	5060182831712	
	Plastic dome waste	URDWP	5017134119718	
	Chrome hinged dome waste	URHDW	5024139063229	
	Top inlet spreader exposed	URTIS	5036084100010	
	Pipe work – single bowl inc. brackets	URPWS	5036084110019	
	Pipe work – two bowl inc. brackets	URPW2BOW	5036084120018	
	Pipe work – three bowl inc. brackets	URPW3BOW	5036084130017	
	Pipe work – four bowl inc. brackets	URPW3BOW	5036084140016	
Colour	White			
	Urinal	6.65 kg		
	Urinal divider	8.25 kg		
Packing	Shrink wrap			
Material	Vitreous china			
Standards	BS 5520 / BS3402 / Declaration of performance URL2			
Notes	Brackets required for installation of the urinal BRACK (Not Included)			

### Martin Richards

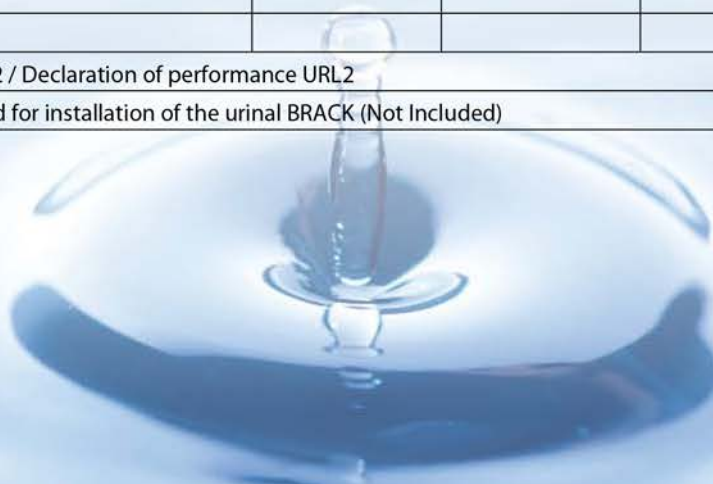
t: 07754 512518

e: martin@smartilimited.com

### Smarti™ Enviromental Products Limited

Exeter Estates, Peamore Centre, Alphington

Exeter, Devon EX2 9SL



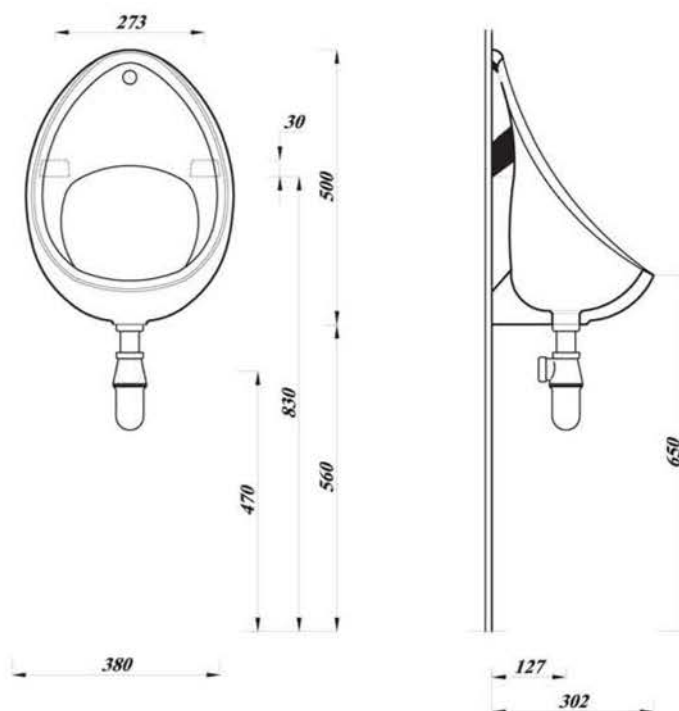
## MODEL: Urinal 50cm

### Application & Features

- Leisure
- Hotel and commercial
- Three sizes
- Also available as part of the waterless urinal pack



### Elevations



Description		UK Codes	Bar Codes	Part No.
<b>Urinal Exposed 50cm</b>		URBOW50	6221006016824	FS129619300000
Compatible products	Urinal divider	URSEP	6221006025741	FS17262B000000
	Brackets	BRACK	5060182831712	
	Plastic dome waste	URDWP	5017134119718	
	Chrome hinged dome waste	URHDW	5024139063229	
	Top inlet spreader exposed	URTIS	5036084100010	
	Pipe work – single bowl inc. brackets	URPWS	5036084110019	
	Pipe work – two bowl inc. brackets	URPW2BOW	5036084110019	
	Pipe work – three bowl inc. brackets	URPW3BOW	5036084130017	
Pipe work – four bowl inc. brackets	URPW3BOW	5036084130017		
Colour	White			
Weight	Urinal	9.35 kg		
	Urinal divider	8.25 kg		
Packing	Shrink wrap			
Material	Vitreous china			
Standards	BS 5520 / BS3402 / Declaration of performance URL2			
Notes	Brackets required for installation of the urinal BRACK (Not Included)			

### Martin Richards

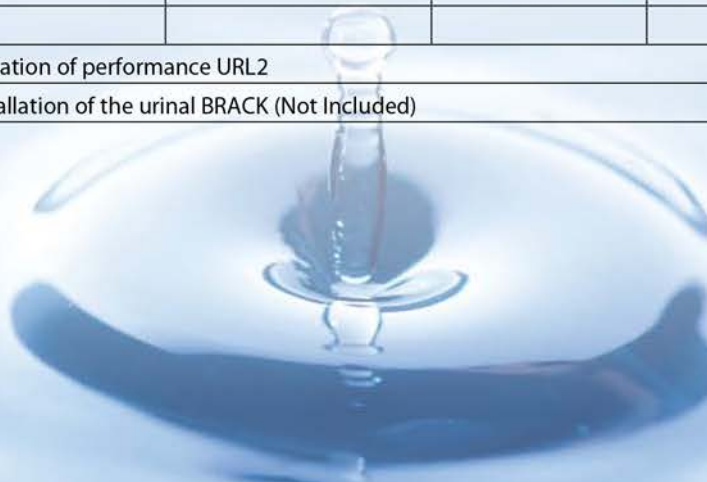
t: 07754 512518

e: martin@smartilimited.com

### Smarti™ Enviromental Products Limited

Exeter Estates, Peamore Centre, Alphington

Exeter, Devon EX2 9SL



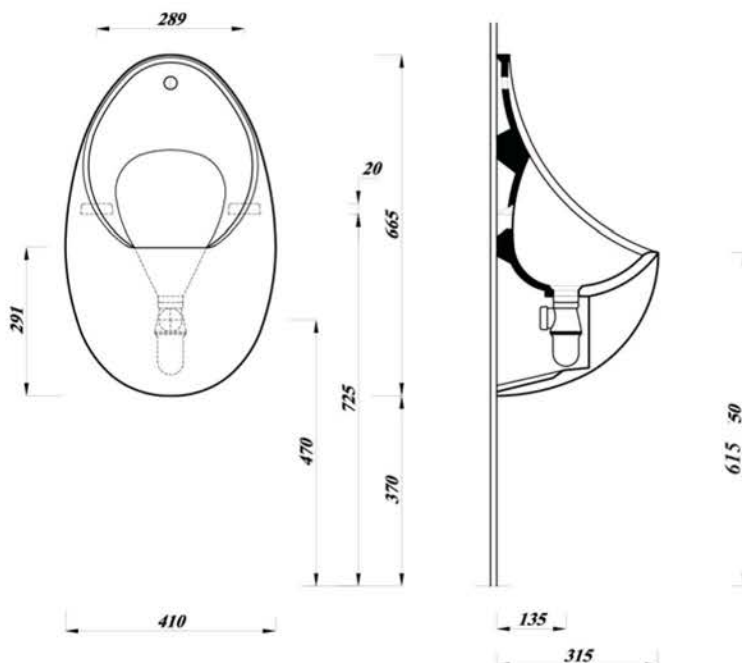
All dimensions are approximate and subject to normal ceramic variation, Smarti Products Limited reserve the right to change the product without prior notification

## MODEL: Urinal 60cm (concealed)

### Application & Features

- Leisure
- Hotel and commercial
- Three sizes
- Also available as part of the waterless urinal pack

### Elevations



Description		UK Codes	Bar Codes	Part No.
<b>Urinal Concealed 60cm</b>		URBOW	6221006016831	FS12961B300000
Compatible products	Urinal divider	URSEP	6221006025741	FS17262B000000
	Brackets	BRACK	5060182831712	
	Plastic dome waste	URDWP	5017134119718	
	Chrome hinged dome waste	URHDW	5024139063229	
	Back inlet spreader concealed	URBIS		
Colour	White			
Weight	Urinal	9.35 kg		
	Urinal divider	8.25 kg		
Packing	Shrink wrap			
Material	Vitreous china			
Standards	BS 5520 / BS3402 / Declaration of performance URL2			
Notes	Brackets required for installation of the urinal BRACK (Not Included)			

**Martin Richards**

t: 07754 512518

e: martin@smartilimited.com

**Smarti™ Enviromental Products Limited**

Exeter Estates, Peamore Centre, Alphington  
Exeter, Devon EX2 9SL

**smartewaterfree.com**



All dimensions are approximate and subject to normal ceramic variation, Smarti Products Limited reserve the right to change the product without prior notification

## MODEL: Waterless Urinal Pack (40cm/50cm/60cm)

### Application & Features

- Hotel, leisure and commercial
- Waterless Technology
- No Cistern/siphon required
- Compact Unit
- Allows liquid to flow into the drain, but prevents backflow of drain gasses
- Total life span depends on rate of usage
- Each valve can save between 20-40 litres of water per annum
- Key ring is biodegradable
- Green Key ring acts as an optical life cycle indicator keeping the membrane clean and creates a pleasant scent

### Elevations



Description	UK Codes	Bar Codes	Part No.	
<b>40cm Waterless Urinal Pack</b>	URWALES40	5060182839893		
<b>50cm Waterless Urinal Pack</b>	URWALES500	5060182839909		
<b>60cm Waterless Urinal Pack</b>	URWALES60	5060182839916		
Component products	40cm Urinal	URBOW40	6221006016817	FS129617300000
	50cm Urinal	URBOW50	6221006016824	FS129619300000
	60cm Urinal	URBOW	6221006016831	FS12961B300000
	Key valve E	URWALESKEYV	5060182839947	
	Key adapter	URWALESKEYA	5060182839923	
	Counter-nut	URWALESKEYAC	5060182839930	
	Service key	URWALESKEY	5060182839961	
	CLV plug	CLVPLUG	5060182834362	
	Maintenance set	URWALESMAIN1	5060182839954	
Colour	White & Green			
Packing	Boxed			

Martin Richards

t: 07754 512518

e: martin@smartilimited.com

Smarti™ Enviromental Products Limited

Exeter Estates, Peamore Centre, Alphington  
Exeter, Devon EX2 9SL

[smartewaterfree.com](http://smartewaterfree.com)

